

Nº: S20180009

ISSUED DATE:

02 October 2018

ISSUED BY:

Sales Department

**SUBJECT**

**Engine Bracket packs – Special for repowering**

**RELATED TO**

General Information

Product Information

**CIRCULATE TO**

Sales Department

Service Department

Technicians

Parts Department



Solé Diesel introduces new packs with tailored brackets, specially developed for repowering. These new frames will help your client when changing his old engine, avoiding extra costs corresponding to the engine bearers modification.

These packs consist of brackets with customized drilled holes (adjusted upon the old engine dimensions), as well as the needed bolts. The whole support pack is provided properly machined and painted (4 pieces)

By using these packs, new Solé Diesel engine installations will be an easy and economical task.

Nº: S20180009

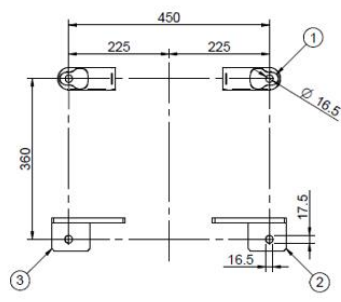
Engine bracket packs – Special for repowering

1

See the following charts, with repowering possibilities, including the pack references which must be ordered in each case.

### Repowering from Solé Diesel to Solé Diesel

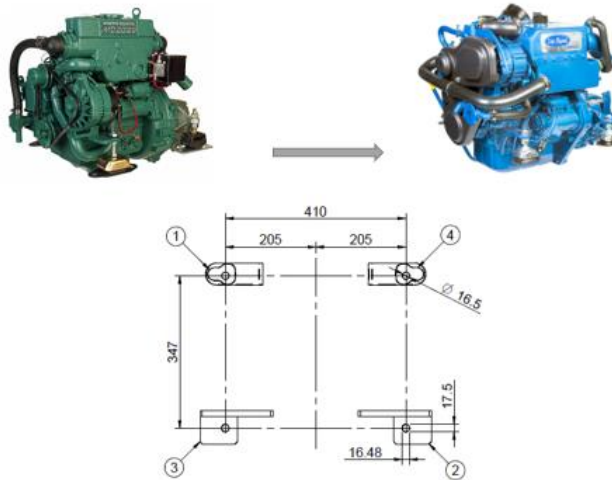
	MINI-17	MINI-29	MINI-33	MINI-44	MINI-55
<b>MINI-1-2-3</b>	13810050.6	17610050.6			
<b>MINI-10</b>	13810085	13910005			
<b>MINI-11</b>	13810084	13910006			
<b>MINI-17 V2_V3</b>	13810084	13910006			
<b>MINI-17 V4</b>	13810086	13910007			
<b>MINI-18</b>	13810089				
<b>MINI-23</b>		13910008	17210038		
<b>MINI-26</b>		13910009	17210039		
<b>MINI-29 V0_V2_V3</b>		13910009	17210039		
<b>MINI-29 V4</b>			17210040		
<b>MINI-32</b>			17210045	17310013	
<b>MINI-33 V0_V1_V3</b>			17210046	17310014	
<b>MINI-34</b>			17210045	17310013	
<b>MINI-48</b>				17310015	17310015
<b>PERKINS-4108</b>					17710022
<b>SM-615</b>					17710023



Repowering from Solé Diesel MINI-23 to Solé Diesel MINI-33 with Supports Pack 450x360 MINI-33, Ref. 17210038

### Repowering from Volvo Penta to Solé Diesel

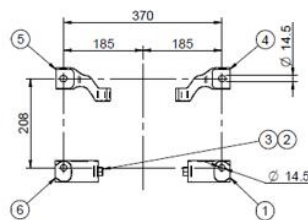
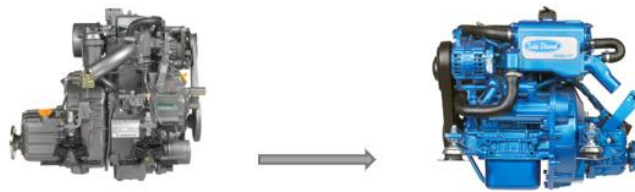
	MINI-17	MINI-29	MINI-33	MINI-44
2001	13810094			
2002	13810093			
2003			17210047	
2003 Turbo			17210047	
MD6A	13810096			
MD7A	13810096			
MD11			17210054	
MD 11C			17210054	
MD17				17310024
MD 2010		13910012		
MD 2020		13910023		
MD 2030			17210048	
MD 2040				17310023
D1-13		13910023		
D1-20			17210048	
D1-30			17210053	
D2-40				17310022



Repowering from Volvo Penta MD 2030 to Solé Diesel MINI-33 with Supports Pack 410x347 MINI-33 Ref. 17210048

### Repowering from Yanmar to Solé Diesel

	MINI-17	MINI-29	MINI-33	MINI-44
<b>1GM</b>	13810097			
<b>1GM10</b>	13810097			
<b>1GM10V</b>	13810099			
<b>2GM20</b>	13810098			
<b>2GM20F</b>	13810098			
<b>2GM20FV</b>	13810109			
<b>2QM20H</b>			17210055	
<b>2YM15</b>		13910022		
<b>3GM30FV</b>		13910024		
<b>3HM</b>		13910028		
<b>3HM 35</b>		13910028		
<b>3HMF</b>		13910028		
<b>3JH2-E</b>			17210056	
<b>3JH2-TE</b>				17310028
<b>SB12/SB12G</b>	13810112			
<b>SB8/SB8G</b>	13810110			



Repowering from Yanmar 1GM10 to Solé Diesel MINI-17 with Supports Pack 370x208 MINI-17 Ref. 13810097

Clarification:

- Packs developed for standard gearboxes. Lead time: 7 days.
- Customized pack developments, not included in previous charts: price will be individually quoted. Lead time: 1 month.

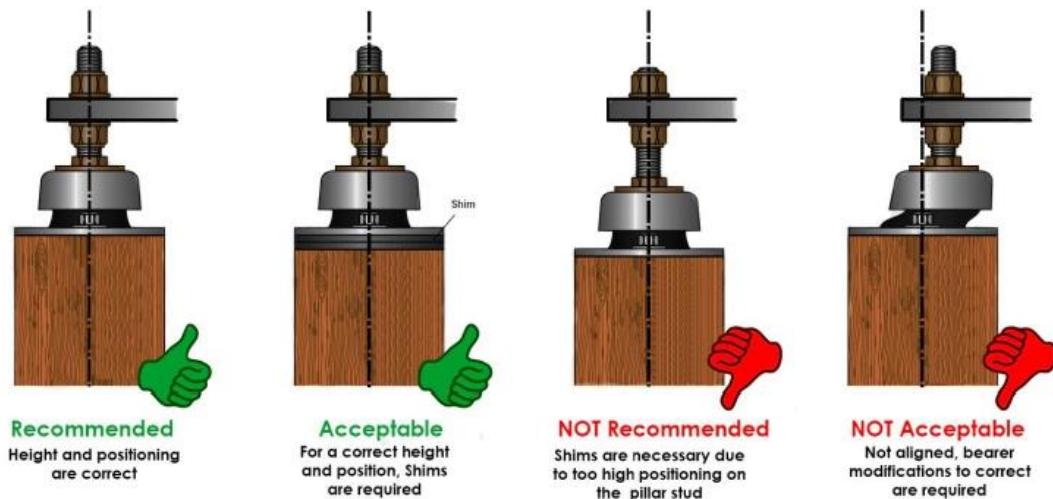
When repowering, we will offer you the pack which best meet your needs. If the required pack is not listed as a standard one, our engineers will proceed with your request and will analyze the development of a new customized pack. Please, fill the form in the link below when placing a customized order. Several engine and boat details will be required.

[Form link – Click here](#)

Once the form is checked, our technical department will provide the packs accordingly and we will include them in the engine box. Then, you will be able to install them easily.

Lead time: 7 days for standard packs and 1 month for customized packs.

In addition to this, we would like to remind you about our shims packs, designed and developed to complement the repowering, as well as to simplify the engine mounts line-up.





Shims Pack Ref 61673101

(For further information corresponding to shims packs, please check out the sales bulletin S20180004, date 17/05/2018)